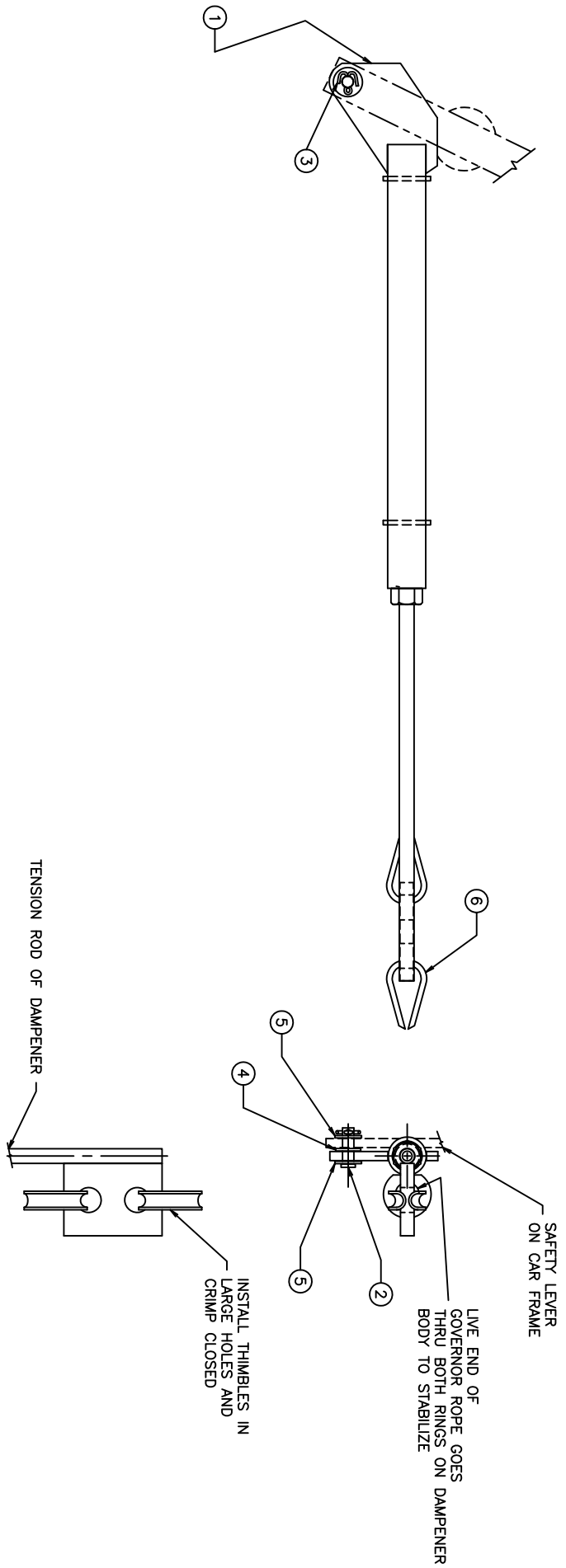


No.	TITLE:	PART NO.	QTY	S/P	SHIPPED
1	L/H GOVW DAMPENED ROPE HITCH (SLS.670)	15721	1	S	
2	5/16" x 1" SST. CLEVIS PIN	23395	1	S	
3	1/8" x 1 1/2" SST. COTTER PIN	23390	1	S	
4	5/16" NYLON WASHER	23400	1	S	
5	1/4" FLAT WASHER	50325	2	S	
6	3/8" ROPE THIMBLE	23340	2	S	
7					
8					
9					
10					



NOTES

1. ASSEMBLE COMPONENTS AS SHOWN FOR SHIPPING. "CRIMP" ROPE THIMBLES CLOSED SO THAT THEY WILL NOT FALL OFF ROPE HITCH.

REVISIONS



DATE	BY	WEIGHT	NA	DATE	XXX
DATE	BY	TIME	.25	DWG	XXX
DATE	BY	STUDY	1-JOB	DWG#	SL1.528
DATE	BY	SCALE	NONE	JOB #	XXX

FILE: