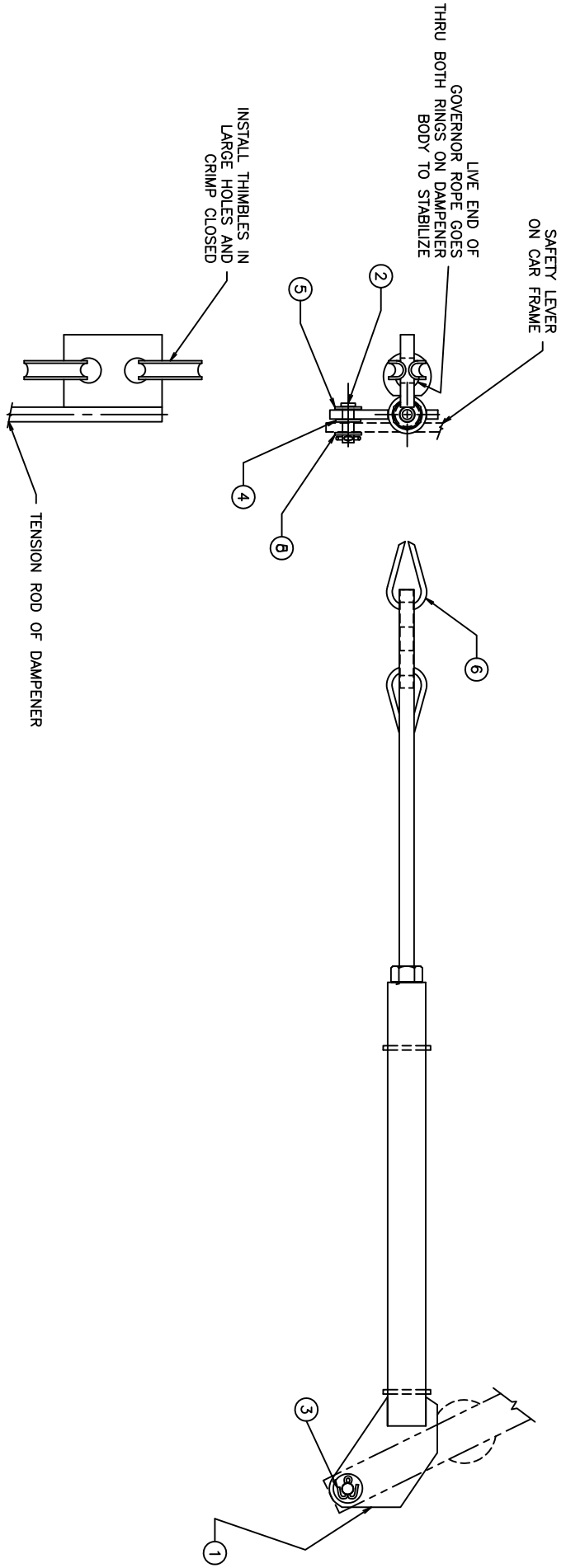


No.	TITLE:	PART No.	QTY	S/P	SHIPPED
1	R/H GOVNI DAMPENED ROPE HITCH (SLS 669)	15082	1	S	
2	5/16" x 1" SST CLEVIS PIN	23395	1	S	
3	1/8" x 1 1/2" SST COTTER PIN	23390	1	S	
4	5/16" NYLON WASHER	23400	1	S	
5	1/4" FLAT WASHER	50325	2	S	
6	3/8" ROPE THIMBLE	23340	2	S	
7					
8					
9					
10					



NOTES

- ASSEMBLE COMPONENTS AS SHOWN FOR SHIPPING. "CRIMP" ROPE THIMBLES CLOSED SO THAT THEY WILL NOT FALL OFF ROPE HITCH.

REVISIONS

DATE	BY	WEIGHT	NA	DATE	??
Orig: 8-30-07	BY DMB				
DATE	BY	TIME	.25	DATE	??
DATE	BY	STUDY	1-JOB	DATE	??
DATE	BY	SCALE	NONE	DATE	??



FILE: